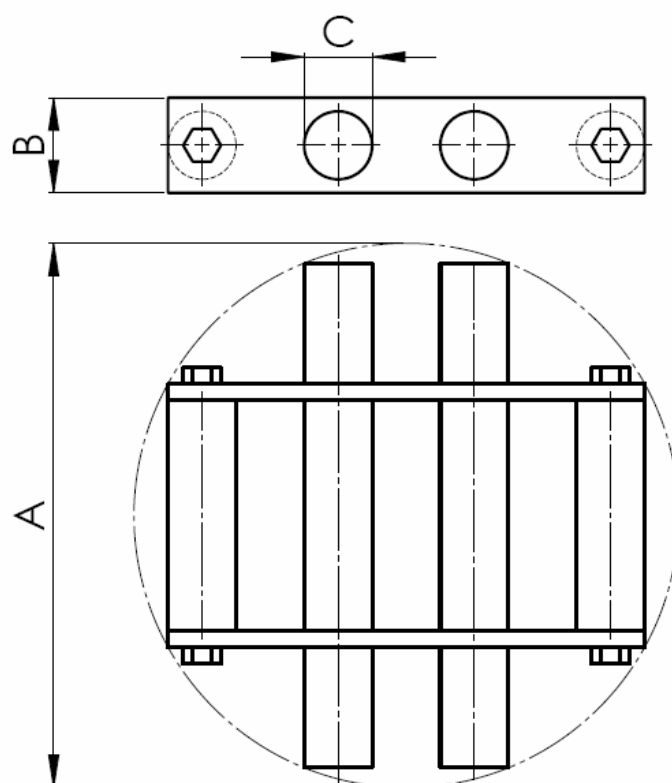
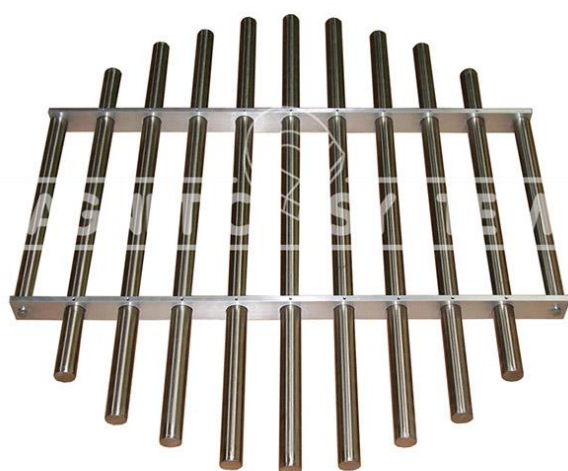


# CIRCULAR MAGNETIC GRIDS

MAGNETIC SEPARATION



Code	A Ø	B	C Ø
GT	100-1000	30	20
GT	150-1000	40	25
GT	150-1000	40	30
GT	150-1000	40	32
GT	200-1000	50	40

All dimensions are in millimeters. Other sizes and shapes available on request

Magnetic grids are manufactured with Ferrite or Neodymium magnets.

These grids, located inside of pipes or hoppers, hold the ferrous impurities present in granulates, dusts and liquids. Completely made up of stainless steel and watertight sealed, grids are mainly employed in the food industry.

They are easy to install and do not need any particular maintenance procedure, just a manual cleaning is requested from time to time.